



JEFFERIES INDUSTRIALS
CONFERENCE
AUGUST 2022



Matt Tirman
Chief Commercial Officer, *Satellogic*

OUR UNMATCHED UNIT ECONOMICS AND SUPERIOR QUALITY ALLOW SATELLOGIC TO DELIVER THE **RIGHT PRODUCT AT THE RIGHT PRICE** FOR THE **RIGHT CUSTOMER**

60-120X BETTER UNIT ECONOMICS

Satellogic's acquisition cost per km² is lower than competitors

10X LOWER CAPITAL EXPENDITURE

Full redesign & vertical integration allows lower CAPEX compared to competitors

10X CAPTURE CAPACITY

Proprietary camera technology allows more collection capacity than competitors

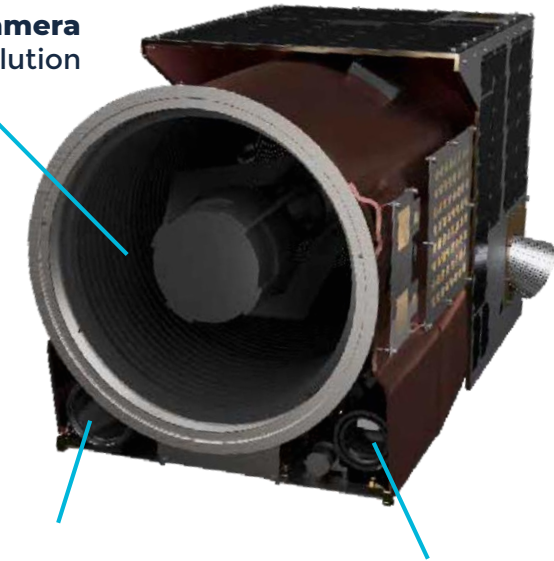
HIGH RESOLUTION CAPACITY LEADER

More <1m resolution capacity than Planet, BlackSky, Maxar & Airbus combined

LARGEST HIGH RESOLUTION FLEET

26 high resolution satellites in operation; more than any other competitor

Multispectral Camera
<1-m Resolution



Hosted Payload Bay
Experimental and commercial sensors

Hyperspectral Camera
29-band, 25-m Resolution

RECENT HIGHLIGHTS



CAPITAL MARKETS SUMMARY

SATL Nasdaq Listed

Share Price ¹	\$4.33
Market Cap ¹	\$393M
Net Proceeds from IPO ²	\$168M
Cash ³	\$8.5M
Shares Outstanding	77M
Constellation	26 Satellites
Sector	Technology
Year End	December 31

1. As of August 2, 2022 - 2. As of 1Q-2022 - 3. As of December 31, 2021



<https://investors.satellogic.com>

NEWS RELEASES

- June 7, 2022 [Satellogic Selected as a Finalist by the European Association of Remote Sensing Companies for its "Company Award 2022"](#)
- May 26, 2022 [Satellogic Announces Successful Launch of Four Additional Satellites on SpaceX Transporter-5 Mission](#)
- May 23, 2022 [Satellogic Announces Enhanced Operations in Australia to Serve the APAC Region](#)
- May 12, 2022 [Mayday.ai and Satellogic Collaborate to Modernize Risk and Disaster Intelligence](#)
- May 11, 2022 [Satellogic and UP42 Team Up to Offer Rapid Monitoring Capabilities](#)
- May 4, 2022 [Satellogic Announces Multiple Launch Agreement With SpaceX for Its Next 68 Sub-Meter Resolution Earth Observation Satellites](#)
- May 3, 2022 [Satellogic Announces Full Year 2021 Financial Results](#)
- April 26, 2022 [Satellogic & Geollect Team up to Provide Market Leading Geospatial Insights in the Maritime Domain](#)
- March 30, 2022 [Satellogic Launches Five Additional Satellites on SpaceX Transporter-4 Mission Satellogic Elects Tom Killalea to its Board of Directors](#)
- March 21, 2022 [Satellogic and HFX Collaborate to Equip Ukraine with Satellite Tasking Capabilities](#)

UPCOMING & PAST EVENTS

World Satellite Business Week 2022

Date: Sept 12 – 16, 2022 - Location: Paris, France

The IAF Global Conference on Space for Emerging Countries (GLEC 2022)

Date: June 2 – 3, 2022 - Location: Monterey Bay, CA, USA

Locate 2022

Date: May 24 – 26, 2022 - Location: Canberra, Australia